

## Product Highlights

### Flexible operation and handling

- ★Ultra stable design greatly improves safety factor. Featuring compact body, and wide operating area
- ★Standard forklift hole, high equipment transportation turnover efficiency, and convenient transportation

### Reduce maintenance costs

- ★High universality of components and no pressure on spare parts
- ★Drawer style door design for more convenient maintenance and upkeep
- ★Self diagnosis of faults, displaying fault information for rapid troubleshooting

### More reliable performance

- ★Multiple protection for lifting circuit, safe and reliable
- ★Anti collision strip protection, more effective in preventing scratches and collisions



### Standard Features

Maintenance free battery	Emergency stop button	Flash Light
Charge protection system	Non-braking brake tires	
Level Bubble	Emergency lowering down	
AC power to platform	Forklift and lifting holes	
Platform self-lock door	Buzzer	
charging indicator	Safety Support Bar	

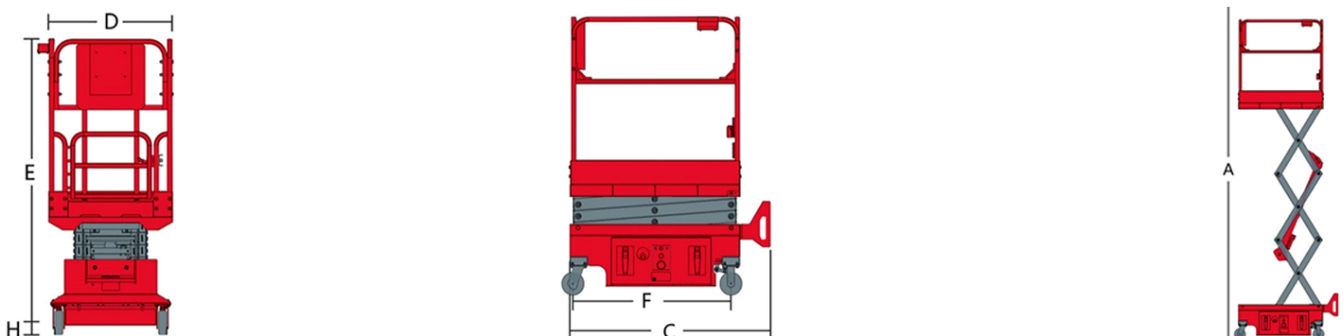
### Options Features

Power socket to platform	Electrophoretic coating process
--------------------------	---------------------------------



**XEM-MINI SERIES**  
**XEM60MINI**  
MOBILE ELECTRIC SCISSOR LIFT

Model	XEM60MINI	
Dimension	Metric	Imperial
A Max. Working Height	6m	19ft 8in
Max. Platform Height	4m	13ft 1in
C Length Stowed	1.25m	4ft 1in
D Width Stowed	0.76m	2ft 6in
E Height Stowed (guardrails unfolded)	1.94m	6ft 4in
F Wheelbase	1.07m	3ft 6in
H Ground Clearance	0.06m	0ft 2in
Platform Size(L×W×H)	1.15m*0.76m*1.1m	45in×30in×43in
Skirting Board Height	0.15m	0ft 6in
Performance		
Max. Load number	2 pers	2 pers
Lifting Capacity	240kg	529 lb
Rising Time	35s	35s
Lowering Time	30s	30s
Tire Specification/ Type	Non-marking Tires 150mm	Non-marking Tires 6in
Power		
Power Unit Motor (voltage/power)	12V/0.8kw	12V/0.8kw
Hydraulic Tank Capacity	2L	0.5 gal
Battery Specifications	114Ah	114Ah
Control Voltage	12V	12V
Charger (Input Voltage/Output Current)	96-265V/15A	96-265V/15A
Weight		
Weight	550kg	1212lb
Standard	GB/CE	GB/CE



The images in this manual are for illustration only, and all copyrights belong to our company.  
Due to continuous technological updates, product parameters may change without prior notice.



**XEM60MINI**

**Mantall XEM60MINI**

[www.mantall.com](http://www.mantall.com)