



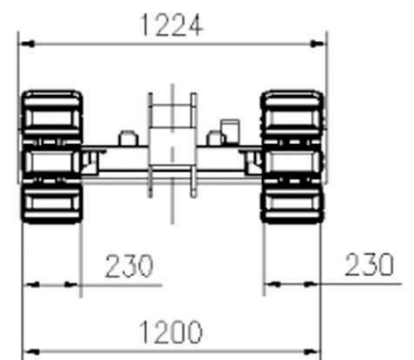
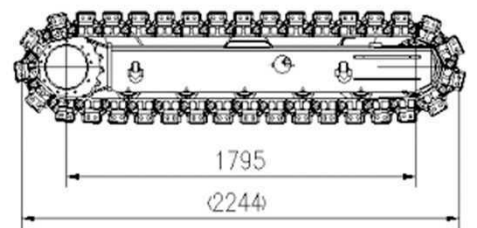
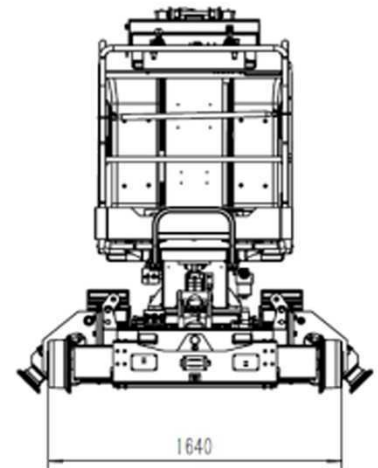
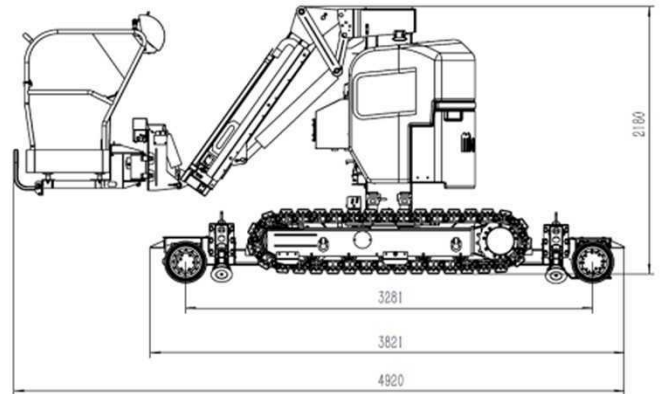
IMP120JTG Railcar

Product Advantages

- 1.The chassis adopts a crawler type, adapting to the complex working environment on railway sites.
- 2.Stowed width: 1.2 m; stowed height: 2.2 m, enabling passage through tunnel access doors.
- 3.Platform height can reach up to 8 m, facilitating overhead operations inside tunnels.
- 4.The turntable supports 345° non-continuous rotation, effectively reducing equipment relocation and improving work efficiency.
- 5.All-electric power system with long endurance, long service life and easy maintenance.
- 6.When operating on rails, it can switch to steel-wheel travel mode to reduce equipment transition time.
- 7.Upward-folding front and rear axles, providing a 25% climbing capacity.
- 8.Equipped with relevant construction lighting and inspection equipment.



IMP120JTG Railcar	
Max. Working Height	12m
Max. Platform Height	10m
Max. Outreach	6m
Turntable rotation	345° discontinuous
Turntable tailswing	0m
Jib swing	-60° / +75°
Stowed size	4.85m×1.2m×2.2m
Platform size	1.1×0.8×1.1
Max. Load number	2
Walking motor power	5.2KW
Lift capacity	200kg
Battery voltage/capacity	48V/240Ah
Control voltage	24V
Charger input voltage	220V
Charger output current	40A
Hydraulic system volume	50L



The images in this manual are for illustration only, and all copyrights belong to our company. Due to continuous technological updates, product parameters may change without prior notice.