

**Product Highlights**

- ★Electric drive, green and environmentally friendly
- ★Zero emissions, meeting the strict requirements of indoor and outdoor emissions on construction sites

**Compact structure**

- ★The entire series adopts compact design, while also considering high maintenance, and has stronger ability to operate in narrow and complex working conditions.

**Excellent Performance**

- ★Equipped with a maximum working angle of 3 degrees as standard, the entire series have stronger adaptability to the working range and site.
- ★230kg load capacity, adaptable to multiple scenarios and working conditions

**Low maintenance costs**

- ★Compared to diesel power, battery maintenance costs are lower, reducing overall operating costs.

**Electric Drive**

- ★Low cost, low noise, low maintenance, green environmental friendly and energy conservation



**Standard Features**

Hydraulic leveling platform	Mechanical release of driving brake	Horn and buzzer safety warnings
Automotive grade full tube sheath protection	Platform rotation	Maximum tilt angle of 3°
Tilt alarm	Over load sensor	Flash light
Emergency stop system	Emergency lowering system	Diagnosis system

**Options Features**

AC wiring to platform	T-BOX (GPS)
Non-marking Solid tires	

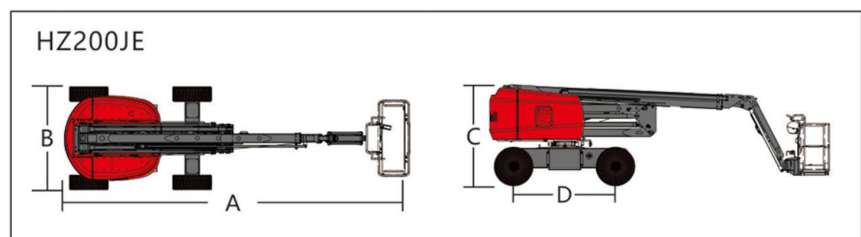
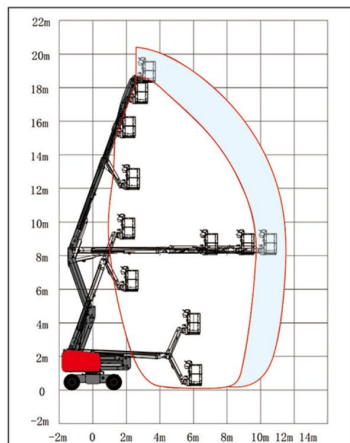


# HZ SERIES

## HZ200JE

### SELF-PROPELLED ARTICULATED BOOM

Model	HZ200JE	
Dimension	Metric	Imperial
Max. Working Height	20.3m	66ft 7in
Max. Platform Height	18.3m	60ft 0in
Max. Outreach	11.3m	37ft 1in
Max. Up and Over Clearance	8.1m	26ft 7in
A Length (stowed)	8.35m	27ft 5in
B Width (stowed)	2.49m	8ft 2in
C Height (stowed)	2.48m	8ft 2in
D Wheelbase	2.5m	8ft 2in
Ground Clearance	0.35m	1ft 2in
Platform Size ((L×W×H)	1.83m×0.76m×1.1m	6ft×2ft6in×3ft7in
Performance		
Lift Capacity	300kg/400kg(Restricted)	661lb / 882lb (Restricted)
Turntable Rotation	360°non-continuous	360°non-continuous
Platform Rotation	180°	180°
Drive Speed (Stowed)	6.1km/h	3.8mph
Drive Speed (Raised)	1.1km/h	0.68mph
Gradeability	40%	40%
Turing Radius (Inside)	2.38m	7ft 10in
Turing Radius (Outside)	5.69m	18ft 8in
Turntable Tailswing	0.6m	1ft 12in
Max. Tilt Angle(Front to Back/ Side to Side)	3°/3°	3°/3°
Drive wheels number x Steering wheels number	4×2	4×2
Tire Specification/ Type	355/55D625 foam filled tire	355/55D625 foam filled tire
Power		
Battery Specifications	48V/445Ah	48V/445Ah
Control Voltage	DC12V	DC12V
Hydraulic Tank Capacity	60L	16 gal
Weight		
Total Weight	9650kg	21275 lb



The images in this manual are for illustration only, and all copyrights belong to our company. Due to continuous technological updates, product parameters may change without prior notice.

Mantec 美通重工

HZ200JE

