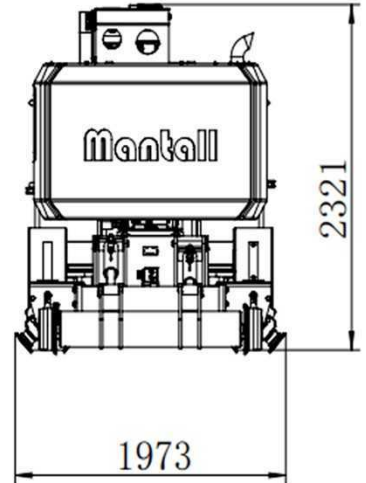
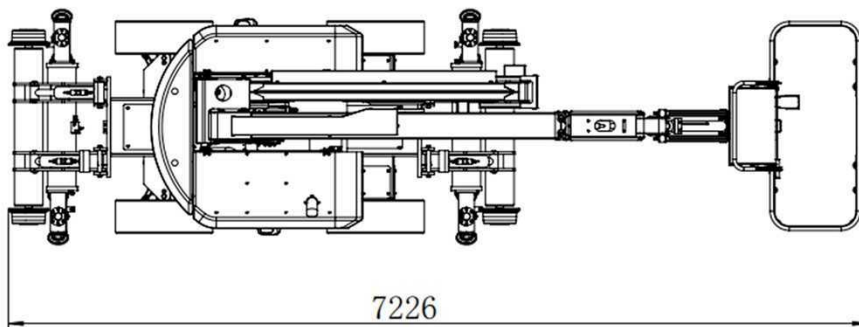
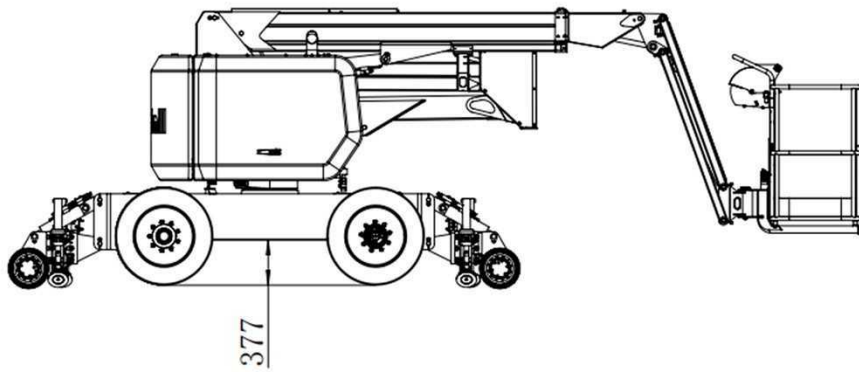




## HZ140JRTG Articulating Boom Rail-mounted Aerial Work Platform

Its core advantage lies in the ultra-high stability brought by the rail guidance system, featuring precise and controllable travel with minimal deflection and sway. It is equipped with multiple safety protection devices, including overload protection, an emergency stop system, and anti-tipping control, which can effectively resist the impact of external factors such as wind force and reduce the risks of aerial operations. The drive adopts the original vehicle power system and is matched with customized special rail wheel sets, ensuring safety and reliability.



HZ140JRTG Parameter Table

Model	Parameter Value
Max. Working Height (track)	14
Max. Platform Height (track)	12
Maximum working radius (horizontal extension)	6501+600
Max. Up and Over Clearance	6.56
Turntable Rotation	360° non-continuous
Platform Rotation	180°
Jib swing angle	140°
Jib length	1.5
Platform Size (L*W*H)	1.75*0.76*1.1
Stowed Size (L×W×H)	7226*2000*2321
Chassis stowed size (L×W)	4305*1973
Wheel track (rail gauge)	1.5
Wheelbase	1.78
Tire Specification	8.00-20 tires
Total Weight	8050kg
Max. Load	230KG
Platform leveling	Hydraulic leveling
Drive wheels Number	2
steering wheels Number	2
Power Source	Yangma 4
System voltage	12V
Control mode	Electro-hydraulic proportional
Turntable Tailswing	0.11m
Gradeability	5°
Ground Clearance	0.33m
Hydraulic Tank Capacity	70 L
Max. Drive Speed (Stowed)	5Km/h
Max. Drive Speed (Raised)	1Km/h
Max. slope	5°

The images in this manual are for illustration only, and all copyrights belong to our company. Due to continuous technological updates, product parameters may change without prior notice.