

Product Highlights

Efficient and Energy-Saving

★The entire series adopts a hydraulic load sensitive system with characteristics of on-demand functions, energy efficiency, low system heating, and long service life.

Intelligent Control

- ★The product is controlled by a proportional handle, with more operations controlled by electro-hydraulic proportional control, featuring smooth action and stronger micro movement.
- ★The product comes standard with an IOT system, paired with an intelligent large screen, allowing users to easily control device status anytime, anywhere, and achieve easy device management

Safe and Reliable

- ★The entire series is equipped with a maximum working angle of 5 degrees as standard, with stronger adaptability to the working range and site
- ★Our product is equipped with floating bridge, which can ensure real-time four-wheel landing and easily handle uneven road conditions, making it safer and more reliable



Standard Features

Hydraulic leveling platform	5-inch super-scale colour screen	Maximum tilt angle of 5°	Foot switch
180° hydraulic rotation platform	Diagnosis system	Dual speed motor	2.44m guardrail
Rear inspect and driving confirm	Swing out engine	Flow distributing and collecting anti-slip system	
Three joysticks gradual proportional control	Engine anti-restart protection	Foam filled tire	
Horn and buzzer safety warnings	Automatic engine failure shall	4 wheels brake	
Flash light	Engine preheater	Emergency brake release	
Tilt alarm	Emergency stop system	4 wheels drive	
Over load sensor	Emergency lowering system	Turntable 360° continuous rotation	

Options Features

Platform swing gate	Front driving light
Hydraulic oil cooler	AC power source
Hydraulic oil for extremely cold areas	GPS
Alarm packages	
Platform work lights	

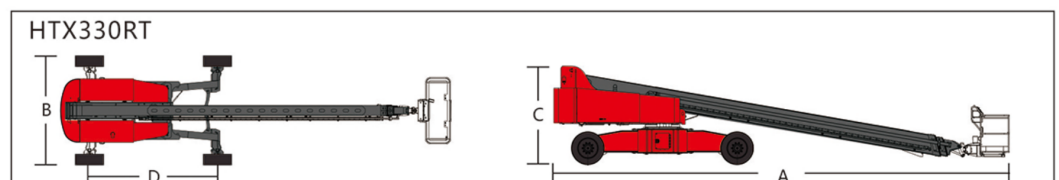
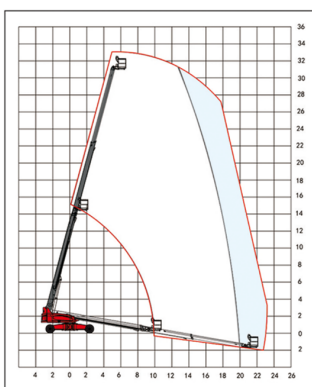


HTX SERIES

HTX330RT

SELF-PROPELLED TELESCOPIC BOOMS

Model	HTX330RT	
Dimension	Metric	Imperial
Max. Working Height	33m	108ft 3in
Max. Platform Height	31m	101ft 8in
Max. Outreach	22.4m	73ft 6in
Maximum horizontal work amplitude	23m	75ft 6in
A Length (stowed)	14.1m	46ft 3in
B Width (stowed)	2.49/3.95m	8 ft 2 in / 12 ft 11 in
C Height (stowed)	3.05m	10ft 0in
D Wheelbase	4.846/4.633m	15 ft 11 in / 15 ft 2 in
Ground Clearance	0.33m	1ft 1in
Platform Size ((L×W×H)	2.44m*0.9m*1.1m	8ft×2ft11in×3ft7in
Performance		
Lift Capacity (Restricted/Unrestricted)	300/454kg	661 lb / 1001 lb
Max. Load number (Restricted/Unrestricted)	3 pers/2 pers	3 pers/2 pers
Drive Speed (Stowed)	4.2km/h	2.6 mph
Drive Speed (Raised)	1.1km/h	0.7 mph
Gradeability (4WD)	40%	40%
Turntable Rotation (Angle/Continuity)	360°continuous	360°continuous
Platform Rotation	180°	180°
Max. Tilt Angle(Front to Back/ Side to Side)	5°/3°	5°/3°
Turing Radius (Inside/Outside)	2.3/5.88m	7.5ft/19.3ft
Turntable Tailswing	1.4m	4ft 7in
Max. Lateral Force (Restricted/Unrestricted)	400N	90.0lbf
Max. Wind Speed	12.5m/s	27.96mph
Tire Specification/ Type	385/65-24 (foam filled tire)	385/65-24 (foam filled tire)
Power		
Drive wheels number x Steering wheels number	4×4	4×4
Engine (power/speed/specification/brand)	"Deutz TD2.9L4, 55.4KW Euro V Wechai WP2.3NG75E441, 55.4kw State IV"	"Deutz TD2.9L4, 55.4KW Euro V Wechai WP2.3NG75E441, 55.4kw State IV"
Hydraulic Tank Capacity	240L	63.4 gal
Diesel Fuel Tank Capacity	240L	63.4 gal
Weight		
Total Weight	20500kg	45195 lb



The images in this manual are for illustration only, and all copyrights belong to our company.
Due to continuous technological updates, product parameters may change without prior notice.

